

# Bussmann

## Power Distribution Fuse Block

**Features and benefits:**

- Combination power distribution block and fuse block reduces wire connections and total panel components, using 50% less panel space and reducing installation time and labor by 33%.
- A 200kA withstand rating helps achieve a higher assembly short-circuit current rating (SCCR) for compliance with NEC® sections 110.10, 409.110(4), 409.22, 440.4(B), 670.3(A)(4) and 670.5.
- Optional see-through cover enhances safety with IP20 finger-safe protection, lockout/tagout capability and open circuit indication.

**Product description:**

New Class J fuse block features power distribution capability.

This patented design simplifies your panel layout and uses up to 50% less panel space. Additionally, it lowers inventory costs while reducing installation time and labor by 33%.

Furthermore, this design uses fewer wire connections, reducing watts loss and overall operating temperature when compared with traditional fuse block/power distribution block solutions.

Catalog symbol: JM60\_\_\_-MW\_

**Fuse Class:**

- Class J

**Ratings:**

Volts - 600V  
Amps - 70-400A  
Withstand - 200kA Sym RMS

**Agency information:**

- Blocks: - UL Recognized E14853 – IZLT2  
- CSA Certified 47235 – 6225-01
- Covers: - UL Listed UL E58836 – JDVS2

**Poles:**

- 1-, 2-, 3-pole

**Flammability ratings:**

- Blocks: - UL 94V0, self-extinguishing
- Covers: - UL 94HB, self-extinguishing

**Operating and storage temperature range:**

- Blocks: -40°C to +120°C
- Covers: - Non-indicating -40°C to +120°C  
- Indicating -20°C to +90°C

**Materials:**

- Base: - Thermoplastic
- Terminals: - Tin-plated aluminum

**Wire:**

- 75°C CU/AL\*

\* Conductors with higher temperature rating may be used, but at their 75°C ampacity.

**Accessories:**

- Optional IP20 finger-safe covers in indicating and non-indicating versions. Order one for each pole.

**Recommended fuses (order separately):**

- Time-delay Class J Low-Peak™ (see Data Sheet # 1007)
  - Indicating LPJ-\_(amp)SPI
  - Non-indicating LPJ-\_(amp)SP
- Fast-acting Class J Limitron™ (see Data Sheet # 1027)
  - Non-indicating JKS-(amp)
- High Speed Class J DFJ Drive Fuses (see Data Sheet # 1048)



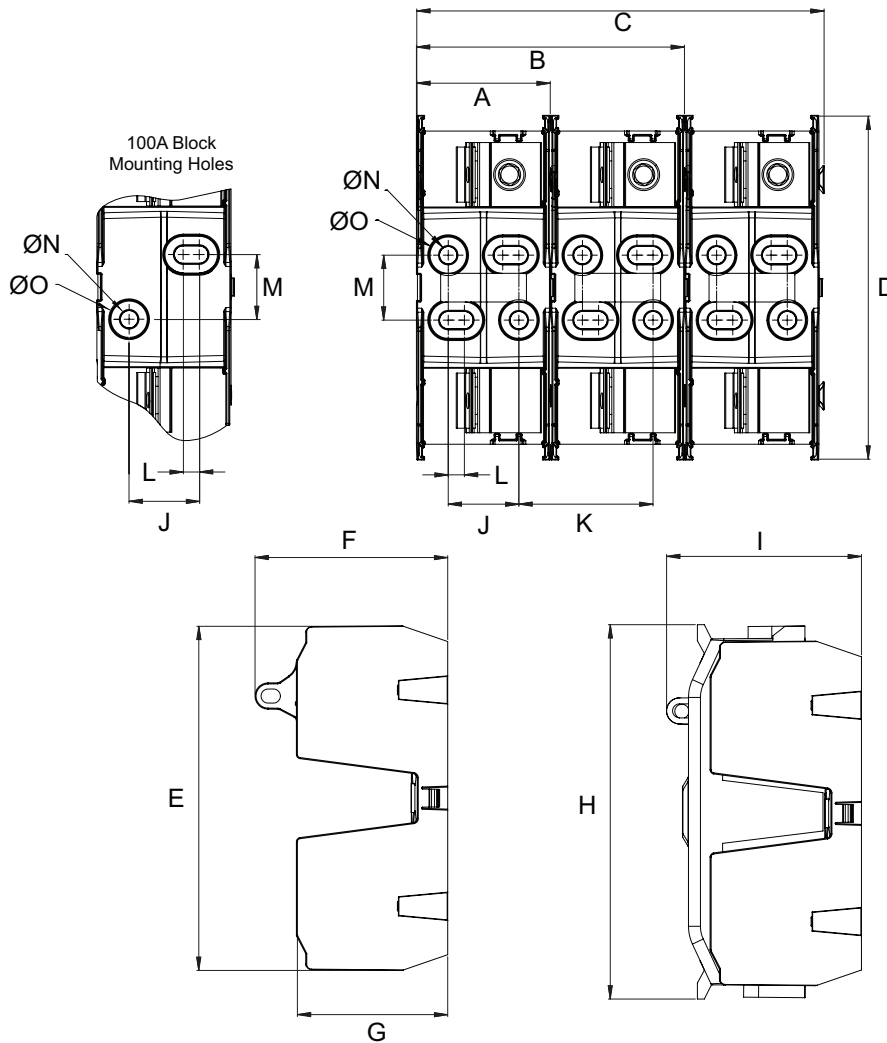
Loadside view

Bussmann power distribution fuse blocks are available preassembled into 1-, 2- and 3-pole versions. Individual blocks can be dovetailed together to achieve the desired number of poles. Use of covers requires ordering separately one cover for each pole.

Part Number	Optional Covers	Volts (V)	Fuse Range	Poles	Lineside		Loadside	
					Conductors	Torque AWG; N•m (Lb-In)	Conductors	Torque AWG; N•m (Lb-In)
JM60100-1MW14 JM60100-2MW14 JM60100-3MW14	CVR-J-60100-M CVRI-J-60100-M*	600	70-100A	1 2 3	(1) 1/0-14 CU/AL	1/0-1; 5.6 (50) 4-6; 5.0 (45) 8; 4.5 (40) 10-14; 4.0 (35)	(4) 4-14 CU, 4-8 AL (8)**10-14 CU	4-6; 4.0 (35) 8; 2.8 (25) 10-14; 2.3 (20)† (2) 10-14; 3.4 (30)†
JM60200-1MW16 JM60200-2MW16 JM60200-3MW16	CVR-J-60200-M CVRI-J-60200-M*	600	110-200A	1 2 3	(1) 250kcmil-6 CU/AL	250kcmil-1; 42 (375) (2) 2-6; 31 (275)	(6) 4-14 CU, 4-8 AL (12)**10-14 CU	4-6; 4.0 (35) 8; 2.8 (25) 10-14; 2.3 (20)† (2) 10-14; 3.4 (30)†
JM60400-1MW16 JM60400-2MW16 JM60400-3MW16	CVR-J-60400-M CVRI-J-60400-M*	600	225-400A	1 2 3	(1) 600kcmil-4 CU/AL	600kcmil-4; 57 (500) 500kcmil; 51 (450) (2) 3/0-4; 57 (500) CU 34 (300) AL	(6) 2-14 CU, 2-8 AL (12)**8-14 CU, 8 AL	2-3; 5.6 (50) 4-6; 5.0 (45) 8; 4.5 (40) (2) 8; 4.5 (40)††† 10-14; 4.0 (35)† (2) 10-14; 4.5 (40)†
JM60400-1MW26†† JM60400-2MW26†† JM60400-3MW26††				1 2 3	(2) 350kcmil-6 CU/AL	(2) 350kcmil-1; 42 (375) (2) 2-6; 31 (275)	(6) 2-14 CU, 2-8 AL (12)**8-14 CU, 8 AL	2-3; 5.6 (50) 4-6; 5.0 (45) 8; 4.5 (40) (2) 8; 4.5 (40)††† 10-14; 4.0 (35)† (2) 10-14; 4.5 (40)†

\* With open fuse indication, 90V minimum and closed circuit required for illumination.  
\*\* Dual wire rated lugs with same wire size.  
† Copper conductor only.  
†† Lineside dual box lug.  
††† Dual wire not for CSA installations

Dimensions - in (mm)



Block Size		A	B	C	D	E	F	G	H	I	J	K	L	M	ØN	ØO
100A	in	2.0	4.0	6.0	5.5	5.5	2.8	2.2	6.0	2.8	0.9	2.0	0.4	1.1	0.4	0.5
	mm	51	102	153	139	139	72	55	152	72	22	51	10	29	9	13
200A	in	2.6	5.3	8.0	6.8	6.8	3.8	3.0	7.3	3.8	1.4	2.6	0.3	1.3	0.4	0.7
	mm	67	134	203	172	172	97	75	186	97	35	67	8	32	9	19
400A	in	3.5	7.0	10.6	8.0	8.0	4.8	4.1	8.7	4.8	2.0	3.5	0.3	1.6	0.4	0.7
	mm	88	177	268	202	202	121	105	220	121	50	88	8	41	9	19

The only controlled copy of this Data Sheet is the electronic read-only version located on the Bussmann Network Drive. All other copies of this document are by definition uncontrolled. This bulletin is intended to clearly present comprehensive product data and provide technical information that will help the end user with design applications. Bussmann reserves the right, without notice, to change design or construction of any products and to discontinue or limit distribution of any products. Bussmann also reserves the right to change or update, without notice, any technical information contained in this bulletin. Once a product has been selected, it should be tested by the user in all possible applications.

**Eaton's Bussmann Business**  
114 Old State Road  
Ellisville, MO 63021  
United States  
www.bussmann.com

© 2014 Eaton  
All Rights Reserved  
Publication No. 10192 — BU-SB131185  
January 2014

Eaton is a registered trademark.

All other trademarks are property of their respective owners.